

CITY OF SOUTH PERTH

WASTE AND RECYCLING GUIDE 2017.



KEEP
ME ON
YOUR
FRIDGE!

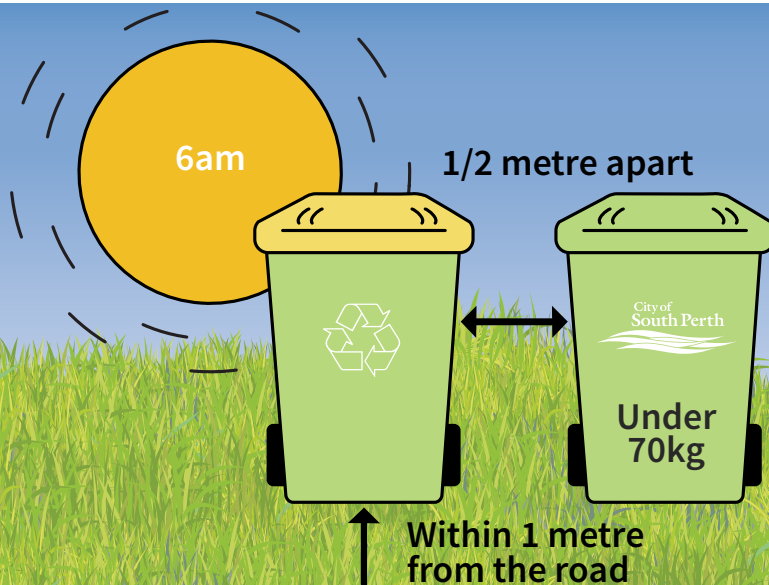
Contact the City of South Perth
(08) 9474 0777 | enquiries@southperth.wa.gov.au
www.southperth.wa.gov.au



PUTTING MY BINS OUT FOR COLLECTION >

Please place your bins on the verge by 6am on the day of collection. Bins should be within one metre from the kerb with the wheels facing your house. Bin lids should be closed and not overflowing to prevent unwanted pests.

Your green lid and yellow lid recycling bins should be 50cm apart from each other. This is to ensure that the hydraulic arm on the collection vehicle is able to reach, lift and empty your bins. Please ensure that your bins are clear from any obstructions such as power poles, street trees, parked cars, signs, etc.



WHAT CAN I PUT IN MY BINS? >

GREEN LID BIN

To help you get the most out of your rubbish collection service; store your bin in a shaded area, clean your bin regularly using hot soapy water and wrap all moist and perishable foods in newspaper, particularly in the summer months.

What can I place in my green lid bin?

- Food waste
- Garden waste
 - Grass clippings
 - Leaf litter and weeds
 - Small branches
- General household waste
 - Ceramics
 - Clothing
 - Plastic utensils / plates
- Sanitary products
- Doggie bags / nappies

What can't I place in my green lid bin?

- Glass of any sort
- Hot ashes or coals
- Hazardous waste
 - Petrol and flammable liquids
 - Paints or solvents
 - Batteries
 - Chemicals and poisons
- All building materials
 - Bricks and sand
 - Concrete, tiles or rocks
 - Asbestos

YELLOW LID RECYCLING BIN

All recyclables should be clean before putting them in the bin and all food and liquid should be removed. Everything should be loose and not in plastic bags.

What can I place in my yellow lid bin?

- Glass
- Paper
- Cardboard
- Drink cartons
- Plastic bottles
- Plastic containers
- Steel and aluminium cans

What can't I place in my yellow lid bin?

- Lids of any bottles or jars
- China, porcelain or pottery
- Garden refuse
- Liquids
- Household food materials
- Polystyrene containers
- Cling wrap, bread bags or plastic bags

2017 RECYCLING CALENDAR >

Recycling Area 1 Recycling Area 2

Refer to Kerb Side Bin Collection Days map for your recycling area.

JANUARY						
S	M	T	W	T	F	S
1	2	3	4	5	6	7
8	9	10	11	12	13	14
15	16	17	18	19	20	21
22	23	24	25	26	27	28
29	30	31				

FEBRUARY						
S	M	T	W	T	F	S
			1	2	3	4
5	6	7	8	9	10	11
12	13	14	15	16	17	18
19	20	21	22	23	24	25
26	27	28				

MARCH						
S	M	T	W	T	F	S
			1	2	3	4
5	6	7	8	9	10	11
12	13	14	15	16	17	18
19	20	21	22	23	24	25
26	27	28	29	30	31	

APRIL						
S	M	T	W	T	F	S
						1
2	3	4	5	6	7	8
9	10	11	12	13	14*	15
16	17	18	19	20	21	22
23	24	25	26	27	28	29
30						

MAY						
S	M	T	W	T	F	S
	1	2	3	4	5	6
7	8	9	10	11	12	13
14	15	16	17	18	19	20
21	22	23	24	25	26	27
28	29	30	31			

JUNE						
S	M	T	W	T	F	S
				1	2	3
4	5	6	7	8	9	10
11	12	13	14	15	16	17
18	19	20	21	22	23	24
25	26	27	28	29	30	

JULY						
S	M	T	W	T	F	S
						1
2	3	4	5	6	7	8
9	10	11	12	13	14	15
16	17	18	19	20	21	22
23	24	25	26	27	28	29
30	31					

AUGUST						
S	M	T	W	T	F	S
		1	2	3	4	5
6	7	8	9	10	11	12
13	14	15	16	17	18	19
20	21	22	23	24	25	26
27	28	29	30	31		

SEPTEMBER						
S	M	T	W	T	F	S
					1	2
3	4	5	6	7	8	9
10	11	12	13	14	15	16
17	18	19	20	21	22	23
24	25	26	27	28	29	30

OCTOBER						
S	M	T	W	T	F	S
1	2	3	4	5	6	7
8	9	10	11	12	13	14
15	16	17	18	19	20	21
22	23	24	25	26	27	28
29	30	31				

NOVEMBER						
S	M	T	W	T	F	S
		1	2	3	4	
5	6	7	8	9	10	11
12	13	14	15	16	17	18
19	20	21	22	23	24	25
26	27	28	29	30		

DECEMBER						
S	M	T	W	T	F	S
					1	2
3	4	5	6	7	8	9
10	11	12	13	14	15	16
17	18	19	20	21	22	23
24	25	26	27	28	29	30
31						

*No collection on Good Friday 14 April, collection on Saturday 15 April.

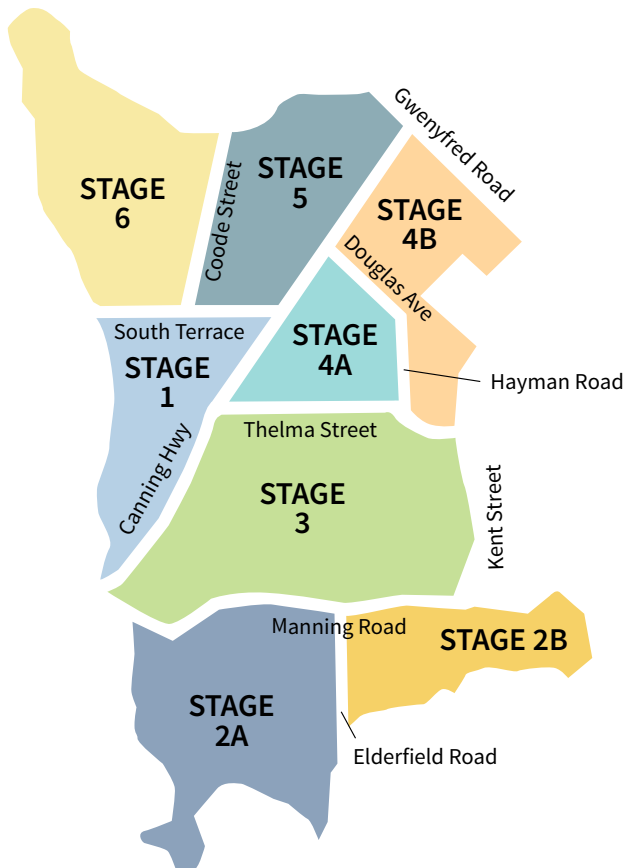
**No collections Christmas Day. All week's services will be delayed by a day.

VERGE SIDE WASTE COLLECTIONS >

The City of South Perth provides one hard waste and two green waste verge side collections per year.

Items for the green and hard waste verge collection must be placed neatly on the

verge by 7am on the scheduled start date for your area (including public holidays). Waste should be put out no earlier than one week before the collection commencement date.



STAGE	SUBURBS	AUTUMN GREEN WASTE	SPRING GREEN WASTE	HARD WASTE
1	Como Beach	3 April 2017	21 August 2017	2 October 2017
2a	Manning, Salter Point, Waterford	10 April 2017	28 August 2017	9 October 2017
2b	Waterford	10 April 2017	28 August 2017	16 October 2017
3	Como, Manning, Karawara	17 April 2017	4 September 2017	23 October 2017
4a	Como	24 April 2017	11 September 2017	30 October 2017
4b	Kensington	24 April 2017	11 September 2017	6 November 2017
5	South Perth	1 May 2017	18 September 2017	13 November 2017
6	South Perth	8 May 2017	25 September 2017	20 November 2017

PLEASE NOTE: The City will no longer be sending out flyers prior to green and hard waste verge side collections.

VERGE SIDE COLLECTION DATES

GREEN WASTE COLLECTION >

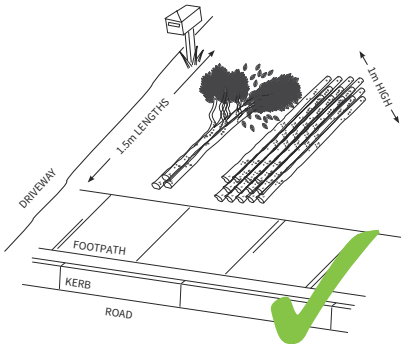
The City WILL collect:

- Uncontaminated green/garden waste
- Tree branches/prunings - maximum diameter 150mm and maximum length 1.5m
- Maximum 3 cubic metres per premise

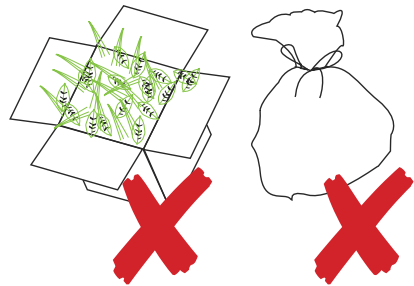
The City WILL NOT collect:

- Lawn clippings and leaves. These may be placed in your regular bin and will be collected along with your weekly domestic rubbish collection
- General junk, building or household waste
- Tree trunks and stumps larger than 150mm in diameter or 1.5m in length
- Dug out lawn
- Green waste that is contaminated by household rubbish

Correctly set out green waste



Plastic bags and boxes of leaves, weeds, soil and lawn clippings will NOT be collected



If the green waste you set out for collection does not comply, it will not be collected. The City does not have arrangements with commercial tree loppers or contractors. If you choose to use the services of a commercial contractor, it is your responsibility to ensure they comply with collection guidelines.

HARD WASTE COLLECTION >

The City WILL collect:

- Household furniture
- White goods (stoves, dishwashers, washing machines, clothes dryers etc)
- Fridges and freezers (doors must be removed)
- Air conditioners
- General junk, small electrical goods, carpet, linoleum, mattresses and metal items no longer than 1.5m
- Unwanted pine (untreated pine materials, firewood, logs, timber, furniture etc)
- E-Waste items such as computers and televisions
- Maximum 4 cubic metres per premise

The City WILL NOT collect:

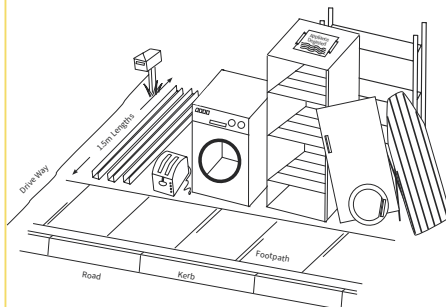
- Bricks, rubble, sand, cement and other building waste
- Asbestos cement products
- Household hazardous waste (oil, pesticides, solvents, chemicals, paint etc)
- Tyres, batteries, motor vehicles (whole or parts of)
- Household waste
- Gas cylinders
- All plate glass such as windows or shower screens
- Items longer than 1.5m (roller doors, metal poles, timber etc)
- Trampolines not disassembled
- Green waste or lawn

Please assist us by placing hard waste on your own verge and into separate piles:

- Metals • White goods • Mattresses
- E-Waste • General waste

Only four cubic metres of waste will be collected from each residence. Waste left behind after the collection is your responsibility and must be removed from the verge within seven days, or \$200-\$500 litter infringements will be issued.

Correctly set out hard waste



VERGE SIDE COLLECTION CONDITIONS

CITY OF SOUTH PERTH RECYCLING CENTRE >

(formerly Collier Park Waste Transfer Station)

LOCATION

Cnr Hayman Rd and Thelma St, Como
(08) 9367 2492
enquiries@southperth.wa.gov.au



City of South Perth residents and property owners can dispose of additional waste and recycling at the City's Recycling Centre.

For more information on the items you can drop at the Recycling Centre and the associated fees, please visit the City's website www.southperth.wa.gov.au/residents/waste-and-recycling.

Pre-separating your waste will assist in the unloading and recycling process.

HOURS OF OPERATION

Monday to Sunday, 9am – 4.45pm

Extended summer hours

2 January - 31 March 2017

Monday to Sunday, 8am – 4.45pm

Closed Christmas Day, New Year's Day, Good Friday, ANZAC Day and other days as required by the City of South Perth.

ENTRY VOUCHERS

As part of the annual rubbish levy, ratepayers receive three entry vouchers for the Recycling Centre. These are sent out at the beginning of each financial year, attached to the rates notices.

FREE RECYCLING

To assist the City of South Perth in reducing waste to landfill and increasing recycling, the following items are accepted free of charge:

- E-Waste
- Clean and uncontaminated cardboard
- Uncontaminated used motor oil
- All scrap metal including fridges, washing machines and microwaves
- Fluorescent lighting tubes and globes
- Household and vehicle batteries

FREE MULCH

City of South Perth residents can collect free mulch from the City's Recycling Centre. If you wish to take mulch, you must load it yourself from the pile provided at the Recycling Centre.

ASBESTOS DISPOSAL DAY

10am-2pm,
Saturday 28 October 2017
City of South Perth Recycling Centre
Cnr Hayman Rd and Thelma St,
Como

Asbestos must be double wrapped in industrial thick black plastic (min 200um) and securely gaffer taped. There is a maximum of 3 fence sheets per household.

HOUSEHOLD HAZARDOUS WASTE

Household hazardous waste (HHW) includes flammable liquids, petrol, paints, acids, chemicals, poisons and gas cylinders. You can safely dispose of domestic quantities of HHW at the Canning Waste Transfer Station or the Armadale Landfill and Recycling Facility. For more information, visit www.wasteauthority.wa.gov.au

REPORT ILLEGAL DUMPING

Illegal dumping is a serious and growing problem in the City of South Perth. If you spot illegal dumping, please contact the City on 9474 0777, email enquiries@southperth.wa.gov.au or you can Report It on the City's website www.southperth.wa.gov.au

One of our City Officers will investigate the complaint and if appropriate, will enforce City by-laws relating to the unlawful dumping.

COULD SOMEONE ELSE USE THAT?

Support a charity today. Free collection is available for goods you no longer need. Please contact the following numbers for collection:

Good Samaritan Industries 1300 855130

Para-Quad Industries 9381 0111

If you would like to support a more local charity group, there is also St Martin's House Op Shop and Bookshop located at the corner of Dyson & Vista Streets, Kensington.

This document is printed on 100 per cent recycled paper using vegetable based inks and is 100 per cent recyclable. To dispose of this guide, please place me in your yellow lid recycling bin.



This document is available in alternative formats upon request.

Contact the City of South Perth
(08) 9474 0777 | enquiries@southperth.wa.gov.au
www.southperth.wa.gov.au

